

## User Manual



Liesenberg UG  
St. Heinricher Straße 9,  
82541 Münsing Germany

# 1. GENERAL INFORMATION

## 1.1. Information and Explanations for the Operating Instructions

This manual is intended to assist and familiarize you with your NMEA kit device and to provide you with the information needed for its safe and proper operation. Please read the entire manual before using your NMEA kit instrument for the first time.

To minimize the risk of injury and to avoid damaging the device, please do not use the NMEA kit until you are sure that you have fully understood this manual. We are not liable for personal injury, property damage, damage to the device caused by improper handling or incorrect use of the NMEA kit Instrument or injury resulting from failure to comply with the safety regulations contained in this manual. Please contact our support team with any questions.

## 1.2. Device Description

The NMEA kit is an extension of the OpenWind instrument. This instrument was developed so that the data read from the OpenWind device can be displayed on the vessel's charterplotters and displays. It can only operate with the windmeter in range and with the use of a digital marine display or charterplotter. The device communicates with NMEA2000 or NMEA0183. Using the NMEA kit together with OpenWind avoids the need of running cables through the mast, providing simple installation and reducing the risk of damaging the boat's electronics system if hit by a lightning.

## 1.3. Safety and Handling

### 1.3.1. Repair

Do not attempt to open and repair the NMEA kit on your own. Disassembling the device will void the warranty and can cause permanent damage and personal injury. Contact support if your NMEA kit is damaged or malfunctioning.

### 1.3.2. Radio Frequencies

NMEA kit uses wireless signals(Bluetooth Low Energy) to connect to the OpenWind instrument. It was designed, tested and produced to be compliant with radio frequency emission complies with all regulations.



## 2. TECHNICAL SPECIFICATIONS

### 2.1. OpenWind NMEA kit

Dimensions	200x65x70mm
Weight	280 grams
Thread	1x14 (1" inch = 2,54cm)
Input	4,5 to 28V
Power consumption	30 mA
OpenWind Connection	Bluetooth version 4.2
OpenWind Connection Range	100 meters with no obstruction
Communication	NMEA2000 or NMEA0183
NMEA2000 Connector	Male Connector
NMEA 2000 Output Data	PGN 127257 (Attitude - Yall Pitch and Roll) PGN130306 (Wind data)
Data rate	10Hz
NMEA0183 Connector	Cable (Shield, TX, RX, GND, 12V)
NMEA 0183 Output Data	AWS / AWA
cable dimension	2, 3 or 5 meters
Water Resistance	Up to 1 meter below surface
Operating Temperature	-20 ° to 70° C

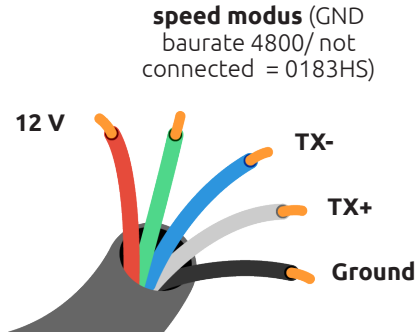
*\* The NMEakit sends Yaw, Pitch/Roll and AWA/AWS on the NMEA2000 bus. Yaw is the same as compass but we send it as Attitude PGN and not heading, because the mast can rotate.*



# 3. ASSEMBLY INSTRUCTIONS

## 3.1. NMEA 0183 cable assembly

Connect the cables according to the diagram bellow to achieve a successful NMEA0183 communication.



## 3.2. NMEA2000 cable assembly

Simply connect the NMEA2000 male connector to your vessel's NMEA2000 Network. In order to connect via SeaTalkNG, use the Adapter SeaTalk NMEA 2000 STNG-A06045. The process is pretty much plug and play, the data will be displayed in the monitor after a few seconds.

## 3.3. OpenWind connection

Make sure OpenWind is turned on (see the OpenWind User Manual for more instructions on how to set up the windmeter properly).

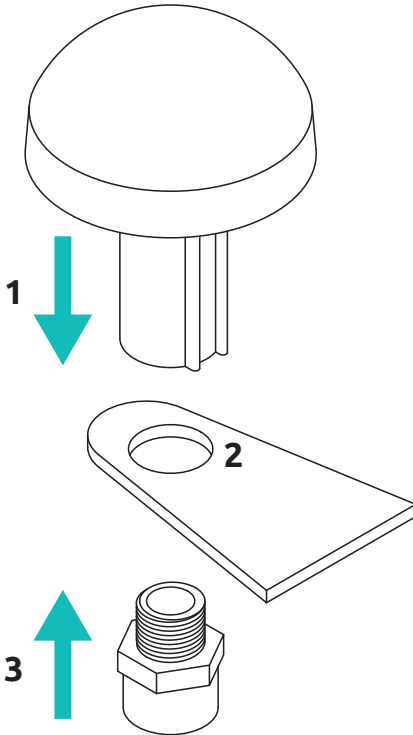
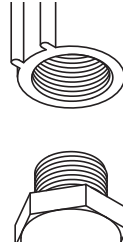
Make sure that **no other devices** are connected to Openwind.

The NMEA kit should connect instantly.



### 3.4. NMEA kit assembly

The device has a standard 1" - 14 thread which is compatible with most of the marine GPS and Antenna mounts available on the market.



In order to install it on a flat surface, simply place the NMEA kit device (1) over a 30mm diameter hole (2) and assemble the lower part (3) with it tightly.

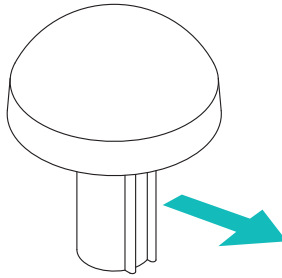
## 4. ROTATING MAST

### 4.1. About

This function exists only for the units with in-built compass.

### 4.2. Assembly

On the shaft of the device, you will find a double railing marking. This will indicate the heading of the NMEA kit. You need to make sure that it is aligned with the boat's heading. The NMEA kit needs to be mounted and not loose around the deck, this will avoid magnetic field interference from the environment in the compass.



### 4.3. Calibration

Calibrate the compass of OpenWind and NMEAkit by doing random “figure 8” movements in the air, as instructed in the OpenWind user manual. It is recommended to calibrate at the same place where OpenWind and NMEAkit will be mounted. The sensor will take in consideration the magnet field environment in the calibration process.

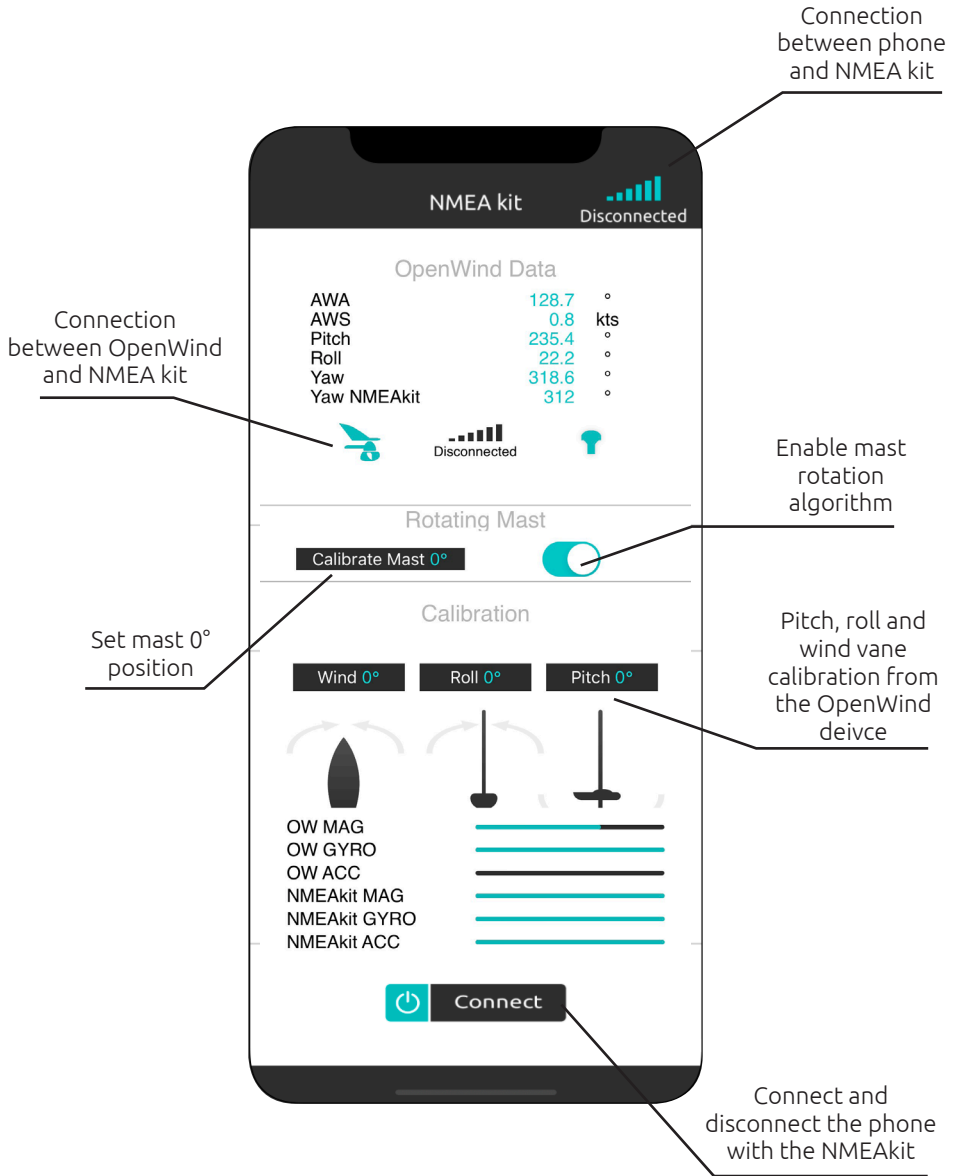
Make sure OpenWind is connected to the NMEAkit, The LED of the OpenWind should be flashing green. You can check the connection status in the NMEAkit Application, and the information should be visible in the marine Display / Chartplotter via NMEA communication after a few seconds.

- Open the NMEAkit application and connect to the NMEAkit.
- Turn on the rotating mast compensation.
- Place your mast in the 0° position and press **“Calibrate Mast 0°”**.

The in-built compass of the OpenWind together with the in-built compass of the NMEAkit will compensate the rotation angle of the mast. If any drift occurs in the compass / wind direction, calibrate mast 0° again.

**\*\* Changes in the magnetic field environment can cause the compass to drift. \*\***





# 5. TRANSPORTATION AND PACKAGING

## 5.1. Transportation

Please make sure that the NMEA kit instrument is not subjected to impact during transport. This can damage the device. If necessary, transport the device in the original box or in a suitable container.

## 5.2. Packaging

If you do not wish to keep the original NMEA kit packing material, please separate it according to the disposal requirements in your community for proper disposal and recycling.

# 6. MANUFACTURER WARRANTY

## 6.1. What is covered by this warranty

Liesenberg UG, Münsing, Bavaria, Germany warrants the NMEA kit hardware product contained in the original packaging against defects in materials and workmanship when used normally in accordance with Liesenberg UG's published guidelines for a period of two (2) years from the date of original retail purchase by the end-user purchaser ("Warranty Period").

## 6.2. What is not covered by this warranty

This Warranty does not apply to any non-Liesenberg UG branded hardware products or any software, even if packaged or sold with Liesenberg hardware. Manufacturers, suppliers, or publishers, other than Liesenberg UG, may provide their own warranties to you – please contact them for further information. Liesenberg UG does not warrant that the operation of the Liesenberg UG's Product will be uninterrupted or error-free. Liesenberg UG is not responsible for damage arising from failure to follow instructions relating to the Liesenberg UG Product's use.

## 6.3. This Warranty does not apply:

(a) to consumable parts, such as batteries or protective coatings that are designed to diminish over time, unless failure has occurred due to a defect in materials or workmanship; (b) to cosmetic damage, including but not limited to scratches, dents and broken plastic on ports unless failure has occurred due to a defect in materials or workmanship; (c) to damage caused by use with a third party component or product that does not meet the Liesenberg UG Product's specifications; (d) to damage caused by accident, abuse, misuse, fire, liquid contact, earthquake or other external cause; (e) to damage caused by operating the Liesenberg UG's Product outside Liesenberg UG's published guidelines; (f) to damage caused by service (including upgrades and expansions) performed by anyone who is not a representative of Liesenberg UG; (g) to an Liesenberg UG's Product that has been modified to alter functionality or





capability without the written permission of Liesenberg UG; (h) to defects caused by normal wear and tear or otherwise due to the normal aging of the Liesenberg UG Product; (i) if any serial number has been removed or defaced from the Liesenberg UG Product; or (j) if Liesenberg UG receives information from relevant public authorities that the product has been stolen and you cannot prove in any way that you are the authorized user of the product (eg. by presenting proof of purchase).

#### **6.4. What will Liesenberg UG do in the event the warranty is breached**

If during the Warranty Period you submit a claim to Liesenberg UG in accordance with this warranty, Liesenberg UG will, at its option:

(i) repair the Liesenberg UG Product using new or previously used parts that are equivalent to new in performance and reliability, (ii) replace the Liesenberg UG Product with the same model (or with your consent a product that has similar functionality) formed from new and/or previously used parts that are equivalent to new in performance and reliability, or (iii) exchange the Liesenberg UG Product for a refund of your purchase price. Liesenberg UG may request that you replace certain user-installable parts. A replacement part or Liesenberg UG Product, including a user-installable part that has been installed in accordance with instructions provided by Liesenberg UG, assumes the remaining term of the Warranty or ninety (90) days from the date of replacement or repair, whichever provides longer coverage for you. When an Liesenberg UG's Product or part is replaced or a refund provided, any replacement item becomes your property and the replaced or refunded item becomes Liesenberg UG's property.

#### **6.5. Limitation of liability**

Except as provided in this warranty and to the maximum extent permitted by law, liesenberg ug is not responsible for direct, special, incidental or consequential damages resulting from any breach of warranty or condition, or under any other legal theory, including but not limited to loss of use; loss of revenue; loss of actual or anticipated profits (including loss of profits on contracts); loss of the use of money; loss of anticipated savings; loss of business; loss of opportunity; loss of goodwill; loss of reputation; loss of, damage to, compromise or corruption of data; or any indirect or consequential loss or damage howsoever caused including the replacement of equipment and property, any costs of recovering, programming, or used with the liesenberg ug's product or any failure to maintain the confidentiality of information stored on the liesenberg ug's product.

The foregoing limitation shall not apply to death or personal injury claims, or any statutory liability for intentional and gross negligent acts and/or omissions. Liesenberg ug disclaims any representation that it will be able to repair any liesenberg ug's product under this warranty or replace the liesenberg ug's product without risk to or loss of information stored in the liesenberg ug's product.

# REGULATORY

## 1.1. EU Compliance Statement



Liesenberg UG declares that this wireless device is in compliance with the essential requirements, Radio Equipment Directive 2014/53/EU and Electromagnetic Compatibility 2014/30/EU as applicable.

## 1.2. European Union—Disposal Information



The symbol above means that according to local laws and regulations your product and/ or its battery shall be disposed of separately from household waste. When this product reaches its end of life, take it to a collection point designated by local authorities. The separate collection and recycling of your product and/or its battery at the time of disposal will help conserve natural resources and ensure that it is recycled in a manner that protects human health and the environment.

# 1. SAFETY

## 1.1. Software safety

If in any case the NMEA kit Instrument firmware encounters a persistent issue on standby or in normal operation, it will automatically reset and boot itself.

This extra feature increases the device stability and makes it tougher for every environment or in any stress conditions. If this feature failed to work, disconnect the device to reboot the system manually.

## 1.2. Hardware safety

All assembly parts in the NMEA kit instrument are stainless steel or corrosion free to make it more durable in harsh environments. To avoid injury during installation or maintenance, all edges of NMEA kit were designed to be smoother and rounded.

# 1. EG DECLARATION OF CONFORMITY

## EG Declaration of Conformity

**Manufacturer:** Liesenberg UG  
**Adresse:** St. Heinricher Straße 9, 82541 Münsing, Germany  
**Product name:** NMEA kit

**We declare under our sole responsibility that the above referenced product complies with the following:**

Electromagnetic Compatibility 2014/30/EU  
Radio Directive 2014/53/EU  
Restriction of certain Hazardous Substances 2011/65/EU  
Low Voltage 2014/35/EU

**The following standards have been applied:**

**EN 61000-6-4:2007:** Electromagnetic compatibility (EMC) - Generic standards - Emission standard for residential, commercial and light-industrial environments.

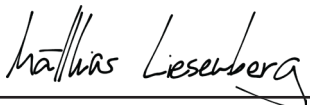
**EN 62368-1:2016-05:** Audio/video, information and communication technology equipment Part 1: Safety requirements.

Münsing, April 05, 2020



---

**Michael Liesenberg**  
Head of Engineer



---

**Matthias Liesenberg**  
Head of Visual Development

